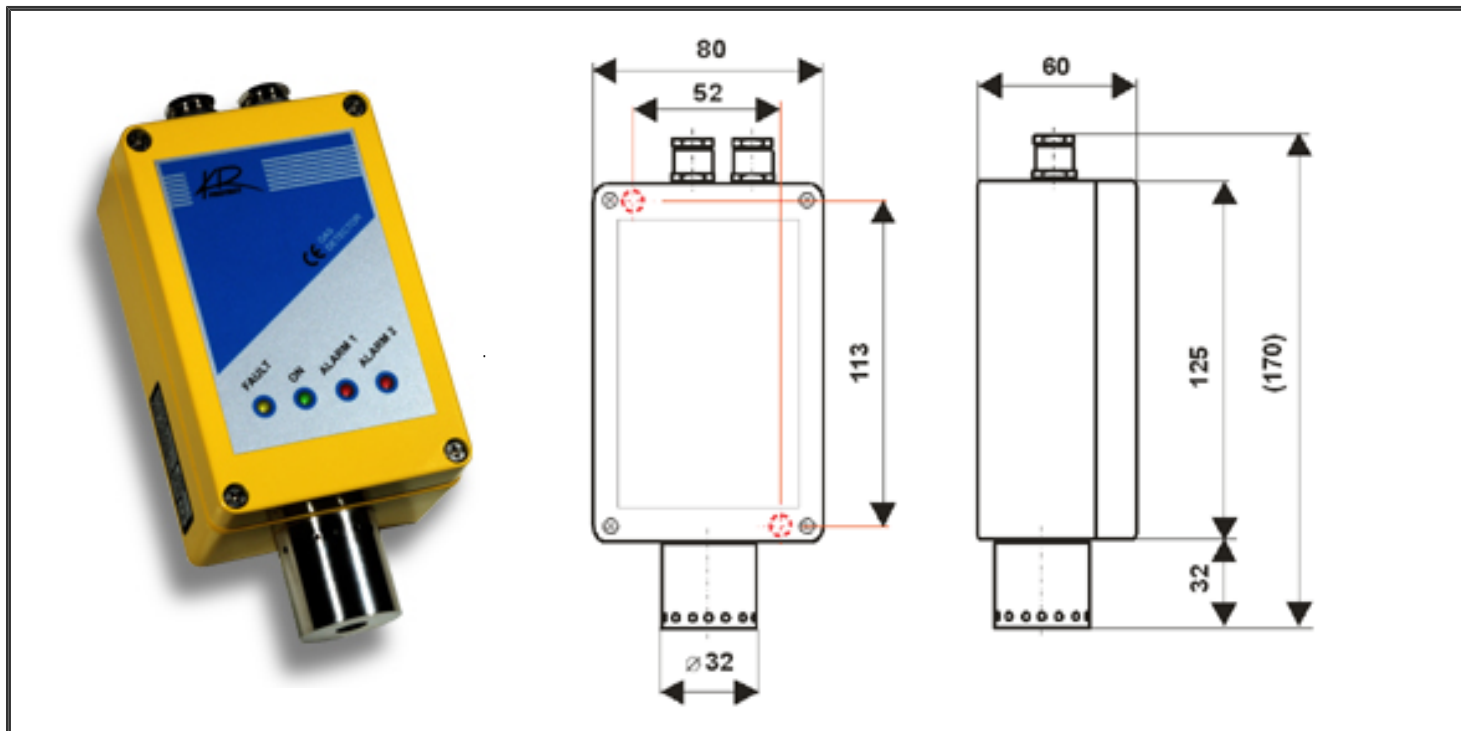




8YH_hcf
E7Ž# +? Ž@A\$



HYWb]Wf`dUfUa Yrfm

8YH_cj Ub`d`nb	ci X Xi gj`h`! BC&
Df]bV]d`a` Yb†	YY_hfcWYa]Wz`Vi`_U`
Fcng]A`a` Yb†	!`&\$dda`BC&
J`g]i`db†g]l`[bz`	I`fY`f`f15`Ufa`%ž`5`Ufa`&z`:`U`H`z`(`N`&\$a`5`)]bYUf`
Dcd`UW`cj`f`g]i`db	&I`ž`bUg]Uj`]H`b`f`j`fcng]U`i`a`Yb†dci`y]r`^`c`g]y`bncf`
J`g]i`db†fY`f`	\$J`gg`#`\$ž`5ž`)\$J`g]i`#`\$ž`5ž`cXdcfcj`z`nzh`y`
?`]a`U]h]V]z`cXc`bcgh`	!&\$Uy`ž`)\$S7`#`@`Uy`-`\$i`FJ`#`(\$S7`bY`cbXYbri`^W`
H]d`c]U`g`_`U]X`cj`z`b†`	\$Uy`ž`&\$S7`#`a`U`"-)`i`FJ`
B]Udz`^W]b]Ud`h†`	&I`&`J`ggž`cWf]U`b]U`dfc]`d`Yd]E]c]j`z`b†`
D`_`t`_`cb`	a`U`"``@`\$a`5ž`h`m]W]z`%\$`\$a`5`
<`a`c]h`bcgh`	+&\$[`
F`cra`f`n]f]y`j`_` \`t`	,\$I`%`\$I`*`\$a`a`
A`c]b]h]z`y]b†c]h]c]f]m`	df`a`f`)`a`a`#`%`%`l`)&a`a`
D]f]c]j`YXYb†dci`nXfU`	`\`]b†ž`b]_`c]j`U]b]z`a`c]g]h`
C`Y`_`z]j`U]b]z`y]j]c]h]bcg]h]g]y]bncf]i`	j`W`bYy`&(a`g]W`b]U`]g]h]f]a`j`nXi`Wi`
?`U]V]f]U`b†dY]f]c]X]U`	!`*`a`g]W`
?`f`n]h†`	=D`(`
D]f]U]W]j`b†d]f]c]g]h`YX†`	V]n]bY]W]rdY`†j`Vi`Wi`X`Y`GB`"``&\$`\$`\$`!

<cXbcmi_cbWbhfUWBC&jmYUcj Ubf gVf_ci 'nz_cb ' "%+, #&\$% 'D9@! %\$a [#a ' žBD?!D1 &\$a [#a ' f_lCYZ]Wbhid Ydc hi 'bU' dda . \$ž ' &Ł

8YHY_hcf 'Y'cgUhb'g'Y'hj bŕa 'YY_hfcWYa]M' a 'gYbncfYa 'i a tgh b a 'gdc'i 'g'j m'cXbcWŕj UWŕ]'U'gdŕbUWŕ]'cVj cXmXc'gdc'Y b'f'c'5@ dci nXfU"8YHY_hcf'X]gdcbi 'Y'Xj ' a 'U'dcd'UW'cj ' a]gri db]. '5@5FA!%ž5@5FA!&'bUgtUj]h' b a]dca cW'cbZ][i fU bŕc'dfc[fUa i ""

: i b_W

8YHY_hcf'i a cybi 'Y'_cbZ][i fUW]bzg'YXi 'W'W' ž b_W' ! 'bUgtUj YbŕXj ci 'dcd'UW'cj ' W \ fUb]Wdfc '5'Ufa '%U'5'Ufa '&:'

'Y'dfcj YXYbc'g'c\ 'YXYa 'bU'gV'f'_i 'nz_cb ' ' "%+, #&\$%": ! 'bUgtUj YbŕgUW]]nU bŕc]bh'fj Ui 'XYHY_hcfi . '

i a tgh bz 'bU'XYgW'g'Y'Y_hfc]_ci 'fj]n'bj 'nbUa b'f'gci 'zgh_m'XYHY_hcfi [Ł" ! 'bUgtUj Ybŕ Ugcj f'c'ndcyX bŕdfc '&'dcd'UW'cj 'gtUj .

V \ Ya ']bh'fj Ui 'bUgtUj Ybfa 'bU' Ugcj U]fGK 'j c]h' b'f'Ł_Y'gobŕYbŕ'_cbWbhfUW'a ' Yb'f'c'd'nbi 'dcX'_ca dUfU bŕ'fcj Y 'hc\cŕc' dcd'UW'cj fa i 'gtUj i ž'f'f' "5@5FA!&" n gU' bY' bUXz 'Y' bYU'hj 'cj zbc" J 'cdU bfa 'd 'ŕUX ']bYX'd 'Y'_cdŕg'f'j 'gri dbŕ'_cbŕU'mŕ' Ugcj f' ndcyX bŕ'nY'XYU'hj 'cj UhU'j 'gri dbŕ'f'Y'f' "5@5FA!&" dU 'Vi XY'fYU['cj UhVYn' Ugcj f' d'fcX'Yj mŕ ! 'a cybcghj c'VmU' hca Uh]W'f'c '# 'a Ubi z 'bŕc F 9G9H ' &'dcd'UW'cj f'c'gri db . XYHY_hcf'i a cy 'i 'Y'j c'Vi 'nd 'gcVi 'XYUh'hj UW' j 'gri dbŕc'f'Y'f' '5@5FA!&' n'dcd'UW'cj f'c'gtUj i 'Xc'dfcj cnbŕ'dc'c\m' 5l HCA 5H=7? 'F 9G9H 'd]'dc_Ygi '_cbWbhfUW' d'nbi 'dcX' •fcj Y ' &'dcd'UW'cj f'c'gtUj i 'gY'j 'gri dbŕ'f'Y'f' '5@5FA!&' j fz hŕ'Ui hca Uh]W'mXc' d'fcj cnbŕ'dc'c\m'f'j'UbXUfXbŕ'bUgtUj Ybŕ'XYHY_hcfi Ł'

Xc'dfcj cnbŕ'dc'c\m'g'Y'j fz hŕ'dci nY' ghg_Ya 'hU 'h_U'F 9G9Hž bYVc'cXdc'Ybŕa 'cX'bUdz 'Ybŕ'

=bgUW

D; - ""

i j YXYb 'dfc'gŕ'f'dcX'f'Ł" F n'W'cgh'dfci X bŕj nXi W'i '_c'Ya 'XYHY_hcfi 'bYga ŕd Y_fc]h' %a #g''

8YHY_hcf'a i gŕn gU'hdc]bgU'W]d tgh db 'gYfj]gŕa '•_cb a "

i XfyVU

'jgi "

fj]n'cXgtUj YW. I B?79Ł" DCNCF "' : i b_W]XYHY_hcfi 'n'ci yY'hY'j ' \fUXb 'n_i yYVbŕa 'd'nbiYa 'c'_cbWbhfUW]bYd Y_fU i 'W'dcj c'Yb 'fcngU'a 'Ybŕ'

?5@-6F 579

?U]VfUW XYHY_hcf ' UxmG9!%) - 'nY'dfcj zX hXj ' a 'U'nd 'gcVm' %Ł'dca cW'hU 'hY_?9%\$%ŕ?9%\$) 'bU'XYgW'g'Y'Y_hfc]_ci '&Ł'dca cW'cbZ][i fU bŕc'GK 'fj]n'a Ubi z ''_Y'_cbZ][i fU bŕa i 'dfc[fUa i Ł' 8z 'Y'Y'dcdgzbU'_U]VfUW'dca cW'hU 'hY_?9!%\$%ŕ?9%\$) . '

%'8=D'gdŕbU 'GK %\$%bUgtUj h'Xc'bzg'YXi 'W'dc'c\m' %C: : '_cbZ][i fUW'99DFCA 'dcj c'YbU '&Ł'CB. ' Ugcj U Y'U'Ufa 'j nŕbi hŕm J 'gri dbŕ'dfci X'a 'hY'j 'HD%\$%f\$!&a 5Ł'U'HD%\$&'fj B8Ł' Dfci Xcj 'fcngU'a Yn]h a]h'c'VcXm\$ŕ&a 5'cXdcj ŕz'j 'gri dbŕa i 'g][bz i '\$ŕ&\$a 5"' &"?5@-6F 579'Ł\$[. '

! 'dc'ghU]ncj zbfj gh dbĀc'gll bz i 'gh]g_b hY'hU ħ_c?9%\$&É'bUa Ybf\cXbch Ĥbi 'cj f\c'd'ntbi f 'Vi XY'd] UnYbU\cXbcHU'(a 5'
! 'dfc'nUdgzbĤbcj f\cXbcmXc'99DFCA 'd ħfc'Y'gh]g_b hY'h"?'9%)'
! 'cXdc'Ĥ'Ĥbi 'cj 'd'ntbi'

' ""?5@6F579'EGD5BÍ'

! '_U]Vfcj zbfVcXi 'j gh dbĤWUfU_hYf]gh_mXYHY_ħcfi 'dfcj zX 'Ĥ'dc'bUghUj YbĤP\$í \cXbcmĤ'ħf'ya]bja z'b 'dc'%) a]b'dfcj cni 'XYHY_ħcfi 'bU'
]ghfa žbY_cbĤUa]bcj Ubfa 'j nXi Wi ""

! '_gYbncfi 'd]j Y hY'_U]VfU bĤ'd'ntb'c'df ħc_i '\$ž #a]b'U'bYWHY'j gh dbĤdfci X'cd hi għz]ħfa Ybc'a Ynj'VeXmHD%\$\$U'HD%\$\$&É'

! 'dc'ghU]nUW]j gh dbĀc'gll bz i 'd YbUghUj hY\cXbch 'j gh dbĀc'dfci Xi 'ĤU_ž'UMmcXdcj ĤU'U'_cbWbĤfUW]dci y]ħf\c'_U]VfU bĀc'd'ntbi 'U'
ħc'bzgYXcj b .'

hU ħ_c?'9%\$' nj nYi Y\cXbch 'j gh dbĀc'dfci Xi 'fa Ybc'a Ynj'VeXmHD%\$\$U'HD%\$\$&É'

hU ħ_c?'9%\$(gb]i Y\cXbch 'j gh dbĀc'dfci Xi 'fa Ybc'a Ynj'VeXmHD%\$\$U'HD%\$\$&É'

! 'dfc'nUdgzbĤbcj f\cXbcmXc'99DFCA 'd ħfc'Y'gh]g_b hY'hU ħ_c?'9%\$)'

! 'cXdc'Ĥ'_U]VfU bĤ'd'ntb'

BYnUdca hY' 'dc'dfcj YXYbf'_U]VfUW]Y'bi Ĥbf'dfcj fghž b_ bĤn_ci y_j 'XYHY_ħcfi ''

I dcnrcfb bĤ

CgcVU'dfUW'W]gd ħfc'Ya 'a i gĤV hi dcnrcfb bU'bU'ħcž'Y'dci y]ħf'd ħfc'Y'nd gcVYa ždfc'_ħf' bYbĤj fcVWa 'i f Ybž'a 'y'nd gcV]ħ'
bUfi yYbĤYY_ħf]W]f'cWfUbmĤ ħfc'Ya 'dcg_ntcj Ubf''

GdYV]bĤj 'j m'

! 'a]bja z'bĤXdcdfi Ybz'_ca dUfU bĤ\fU]W]dfc'bUghUj YbĤU'Ufa i 'Y')i 'n'a ĤĤc'fcngU'i 'XYHY_ħcfi ''

! 'j n]Ufi 'Ĥ'gY'dfcj cncj zbf'd ħfc'Y'j Yj Ya]g] W]f'Ura cġf Y'fĤcX'%) i FJĤ'

! 'fmW]f'na bmj '_cg]a c\ci 'nd gcV]hg_i nj Wcna'c'a Ybf\c'VeXi ""\$dda '!(a 5'fĤdci nY'i 'd ħfc'^ X]gĤcbi 'W]a]gĤc'ħ'a '

j gh dbĤ'gll bz Ya '(!&\$a 5Ĥ'

! 'gY ĤYbĤ"\$"bYbĤd YXa hYa 'dcg_ntcj Ubf'ħzfi _m'

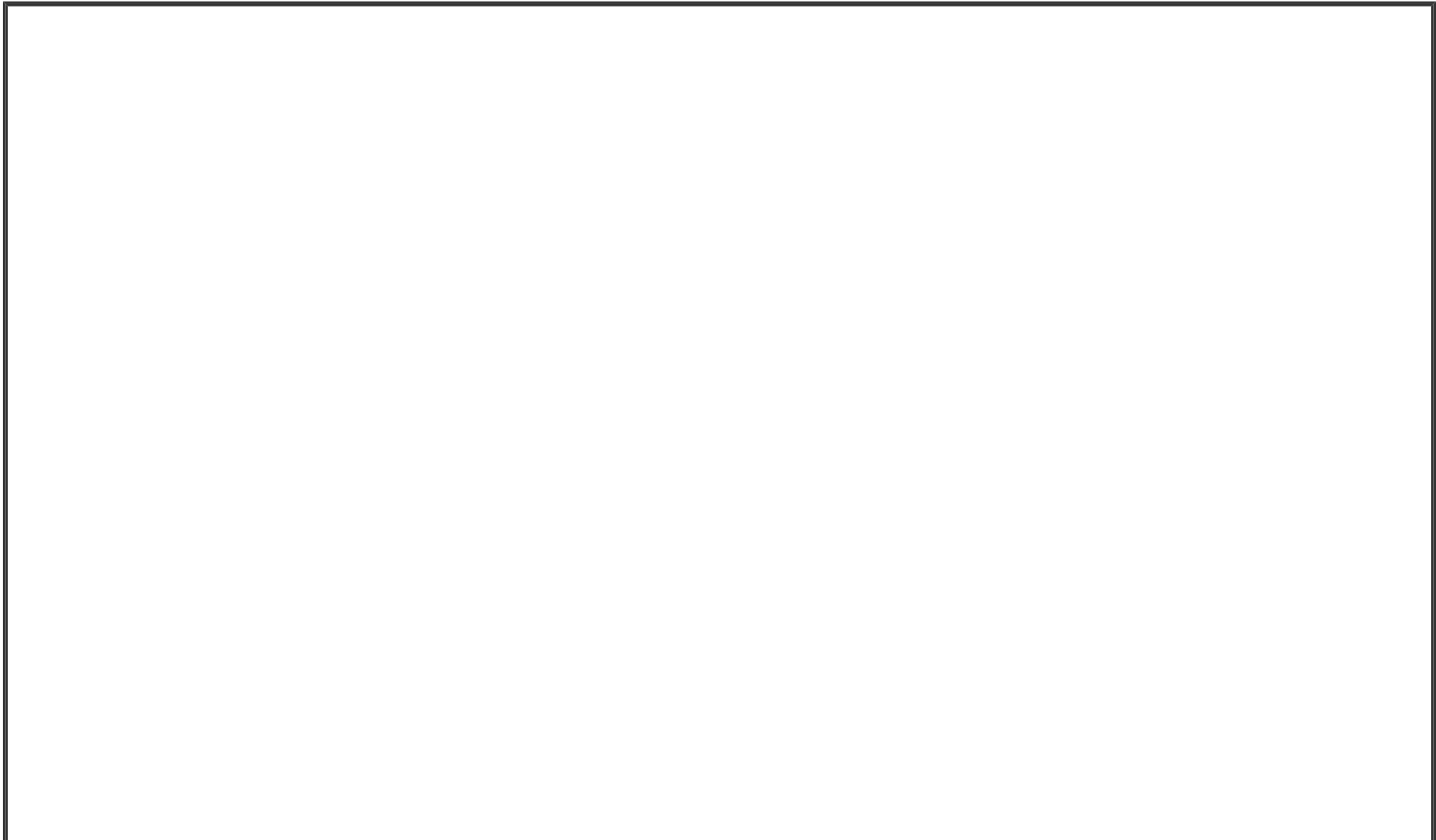
9_c'c[]Wž'']j XUW'ħc\ħc'nU ĤYbĤ'Y'nU]yh bUj 'fza W]_cY_hj bĀc'gngħfa i 'F9H9@5'fk k k "fYHY'U'W]Ĥ'

Dcd]g

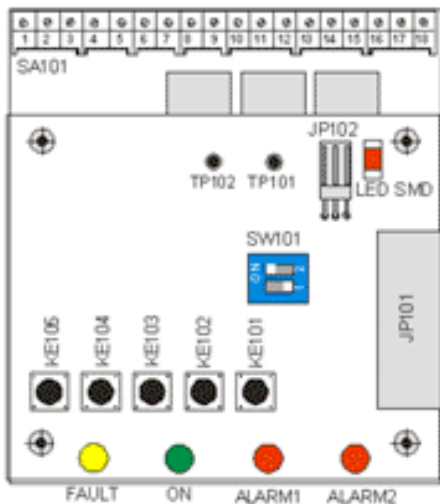
Dc'cy_U	: i b_W	Dcd]g	
	@98 y'i ħz	: 5I @H	Dcfi WU'gYbncfi "': i b_W'Y'Xcd'b bU'c'j gh dbĤfY'f'fi 5I @Hf! 'U_hj UW'j 'd ĤUX 'dcfi Wm
	@98 nY'Ybz	CB	BUdz YbĤXYHY_ħcfi
	@98 Yfj Ybz	5@5FA %	%'dcd'UW]cj 'gUj '! 'U_hj UW'j gh dbĀc'fY'f'f5@5FA '%fi
	@98 Yfj Ybz	5@5FA &	&"dcd'UW]cj 'gUj '! 'U_hj UW' Ugcj U Yždc]bĤfj Ui ' Ugcj f\c'ndcyX bĤU_hj UW'fY'f'f5@5FA '&fi

GWfa U

gj cf_cj f\c'nUdcYbĤ



VÝZNAMNÉ SOUČÁSTKY DETEKTORU



LEGENDA

- JP102 konektor linky RS-232
- TP101 kalibrační vstup (rozsah 0-2mA)
- TP102 GND pro kalibrační vstup
- SW101 konfigurační spínač
- SA101 svorkovnice

- KE101 tlačítko "RESET"
- KE102 tlačítko "4mA"
- KE103 tlačítko "Imax"
- KE104 tlačítko "Imin"
- KE105 tlačítko "Save"

- červená LED SMD**
- trvalý svit = překročení rozsahu detektoru
 - přerušovaný svit = stabilizační interval
 - probliknutí = potvrzení uložení dat do EEPROM

SCHÉMA SVORKOVÉHO ZAPOJENÍ

